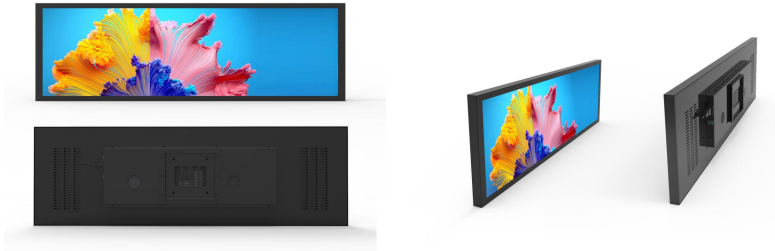


Specification-43.8 inch Android Digital Signage



1. Product Description

This product is well suited for use in elongated spaces like supermarket shelves/shelf top and other commercial display settings. Powered by an Android industrial CPU, it delivers exceptional performance and robust software processing. Its ultra-thin, lightweight design is complemented by numerous interfaces and features such as plug-and-play functionality, timing switches, split-screen capabilities, remote control, and more. Renowned for its appearance and performance, this product is used widely in commercial settings.

2. Product Features

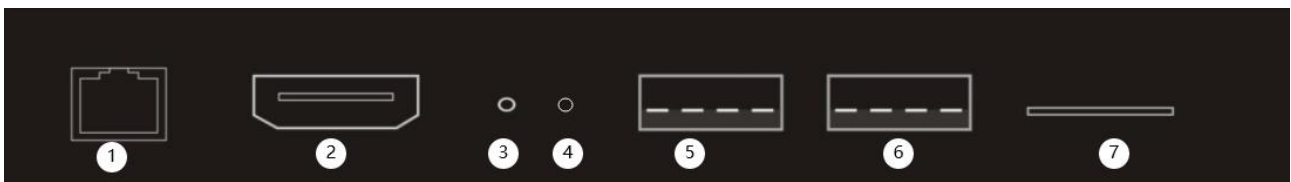
- Appearance: ultra-thin and ultra-light design with sandblasting oxidation and wire-drawn high-gloss enclosure.
- Professional display: TFT HD LCD screen, high brightness, high contrast, high resolution
- Powerful function: remote control, time switch, splitting; scrolling caption; auto play; loop play, etc.
- Display color: 8bit-16.7M
- Long lifespan: supports 7*24 operation up to 50,000 hours
- Hardware details: Android processor, optional 1gb/2gb/4gbROM, optional 8gb/16gb/32gb/64gbSSD, strong CPU
- Powerful decoding ability: support MPG, MPG-1/4, AVI, MP4, TS, MKV, RMVB, MP3, WMA, JPEG, BMP, etc.
- Speaker and Audio: High quality speaker, high-fidelity audio decoding.
- Powerful compatibility: supports installation of external software.

3. Product Details

Panel	Grade	A+
	Display size (inch)	43.8"
	Display scale	> 3 :1
	Display dimension (mm)	1071mm (H) *301mm (V)
	Response time (ms)	8 ms
	Contrast	≥1200:1
	Viewing angle	178°/178°
	Display color	16.7M (8-bit)
	Resolution	3840 (H) * 1080 (V)
	Brightness (cd/m ²)	700 cd/m ²
	Back light	WLED
	Lifespan	50,000 hrs.
Motherboard	Type	Android
	CPU	T972
	ROM	2GB
	SSD/HDD	16GB
	Operating system	Android 9.0
Language	Multi-languages	English, Chinese, Spanish,etc.
Ports	Video port	HDMI in*1, AV in*1, AV out*1
	USB port	USB*2
	TF card slot	1
	SIM card slot	1(need work with 4G modem)
	Communication port	RJ45*1 (10M/100M/1000M)
	Reboot	1
Speaker	/	8Ω 5W*2
Network	Bluetooth	Bluetooth5.0, support connect external device, not transfer files
	WIFI	IEEE 802.11b/g/n, 2.4G
	LAN (RJ45)	10/100/1000 Mbp
	4G modem	(optional)
Power	Input	AC110-240V 50/60Hz
	Max power consumption	≤120W
Package	Carton box/ (mm)	1025*165*450mm
	Net weight (kg)	~12kg
	Gross weight (kg)	~15kg(excluding wooden case)
Working temperature	Working time (h)	7*24h
	Operating temperature	0°C~+50°C

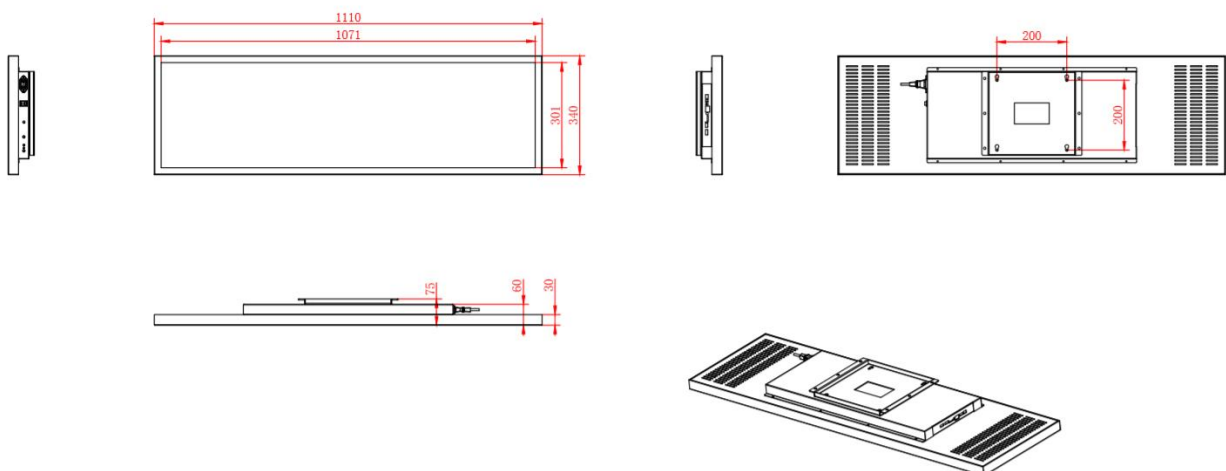
	Working humidity	10%RH ~ 85%RH
	Storage humidity	0°C~+60 °C
Installation	/	Wall mount/Topper
	Installation direction	Landscape/Portrait
Others	Color	Black/white
	Surface tempered glass	No
Accessories	Power cord*1, quality card*1, warranty card*1, remote*1, antenna*1	

4. External Port



#	Name	Usage
1	RJ45(LAN)	network cable
2	HDMI	HDMI in for signal connection
3	AV out	1
4	AV in	1
5	USB	USB, connect mouse, USB disk, etc.
6	USB	USB, connect mouse, USB disk, etc.
7	TF	TF card slot

5. Product Dimension(unit:mm)



Statement: All product pictures and functions are for reference only. For details, please refer to the instructions and product itself.